

SPECIFICATIONS:

Primary mirror diameter: 300 mm (12")

Focal ratio: F/8

Focal length: 2400 mm (95")

Linear obstruction: 48%

Full corrected and illuminated field: 60 mm

Dimensions: 490x490x910 mm

Weight: 27 Kg (60 lb)

Long back focus extraction: 240 mm (9.5")

RMS polychromatic (430-730 nm) spot: 4 micron @ 26 mm off axis

RMS polychromatic (430-730 nm) spot: 5 micron @ 30 mm off axis

Diffraction limited in the 380-2000 nm (near UV to near IR)

Standard configuration:

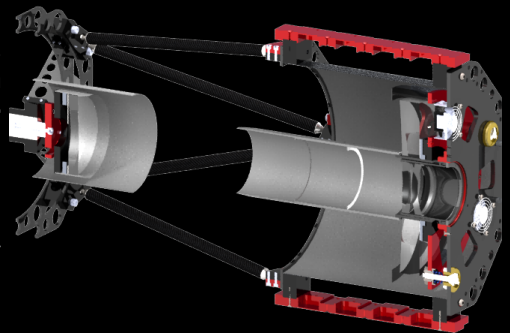
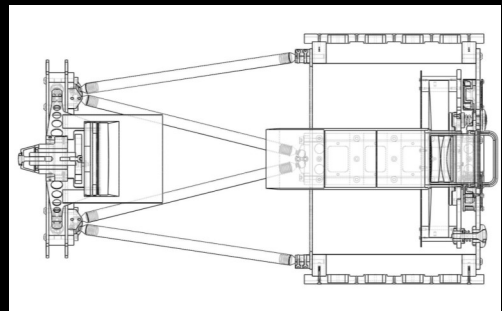
72 mm manual FineFocus focuser, carbon/aluminum truss tube design, splitted light baffle, four Losmandy type dovetails, TC-01 three ventilation fans and mirrors heaters with manual control, shroud and cap covers. Primary cell detachable for an easy cleaning of mirror.

AVAILABLE IN FULL CARBON, ATHERMIC LIGHTWEIGHT TRUSS TUBE!

Optional accessories:

Digital focusers and rotators, focal reducer, ATC-02 advanced electronic finderscopes, customized imaging train parts and more.

RMS spot size dimensions (400-800 nm range, 9 micron pixels grid)





Officina Stellare introduces RiDK 300, a revolution in optical design.

Almost everyone knows about the high level of innovation and technology that comes with any OS products, it's clear at first sight. Many know that we've introduced new optical designs for nowadays demanding marketplace among amateurs and professionals, it is the base of our company, trying to be "smart" and one step beyond.

So: we did it again!

Many of our customers are asking us why we don't have a Dall-Kirkham or a CDK telescope between our arsenal of products, well that's because of our way of thinking.

Many other manufacturers just take one classical optical scheme and add some sort of corrector to it, just to have a flatter field and/or a better spot size, we always try to get things better.

The **RiDK 300** (Riccardi Dall-Kirkham) represents the new reference point for all modified Dall-Kirkham instruments available on the market. The unique experience and creativity of Massimo Riccardi, Chief Optical Designer at Officina Stellare, gives birth to a new 300 mm diameter astrograph of superior performance and image quality.

The results are simply amazing: a system delivering more than 60mm large corrected and flat field that is over the diffraction limit on the entire field and, more than this, over a spectra from 380nm to 2000 nm! These outstanding optics are mounted inside the state of the art OS-Truss mechanics used in all the OS open tube architecture telescopes. The same mechanics approved and used from worldwide research institutes for professional studies. The **RiDK 300** is 100% Made in Italy. Optics are made in Occhiobello Plant under the strict quality control of Massimo Riccardi. The mechanics, designed by our R&D Manager, Giovanni Dal Lago, are engineered, manufactured and assembled at the Thiene plant.

The **RiDK 300** is the ultimate astroimaging telescope for whoever desires just the best in imaging all of the deep sky wonders in a beautiful, compact and superbly manufactured instrument. The long back focus allows any type of accessories to be mounted, including cameras and rotators. It's the telescope for anybody who believes that imaging the Universe is one of the most important, serious and fulfilling experiences for all night sky's lovers and for those who believe that image perfection is the minimum to which to aspire.

Contact:

Gino Buccioli – World Sales Manager
gino.buccioli@officinastellare.com

More on www.officinastellare.com!